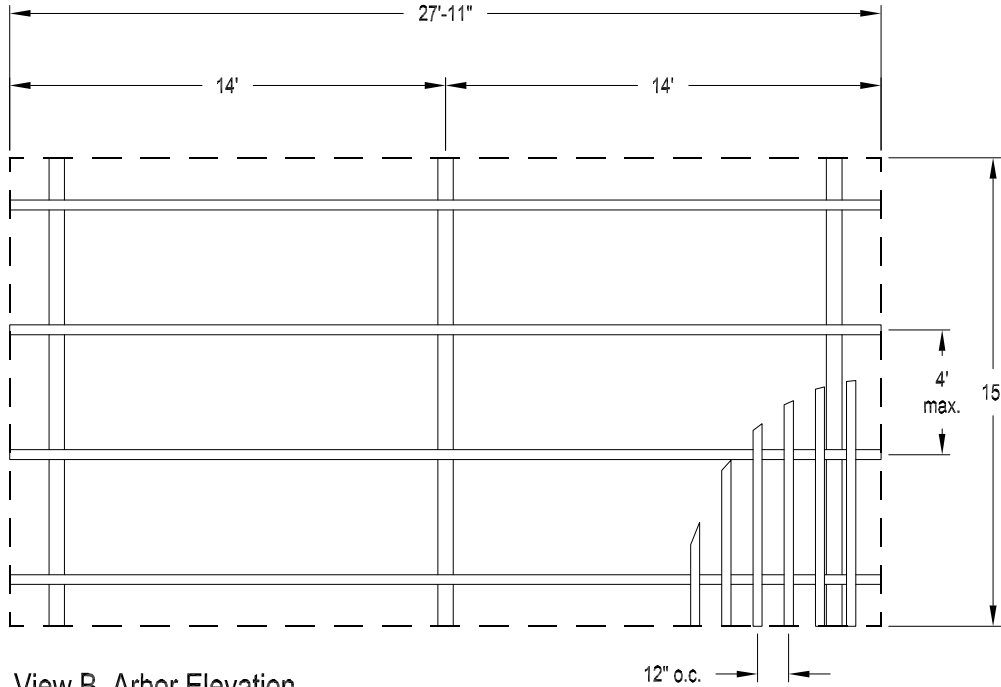
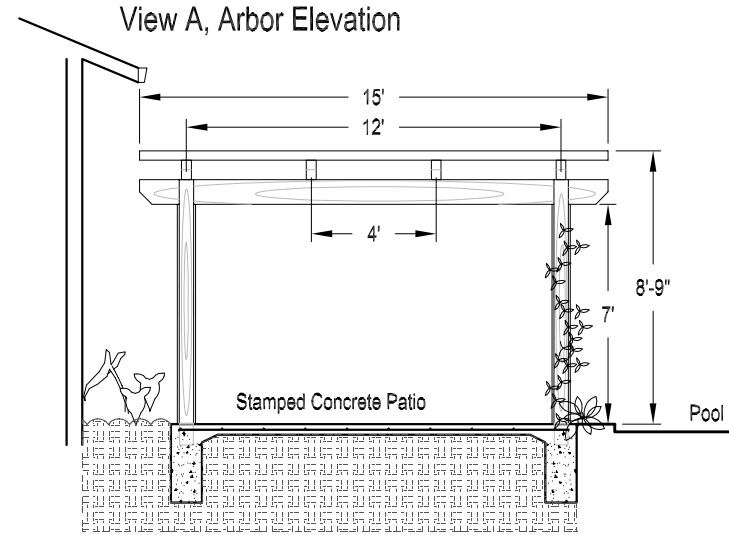
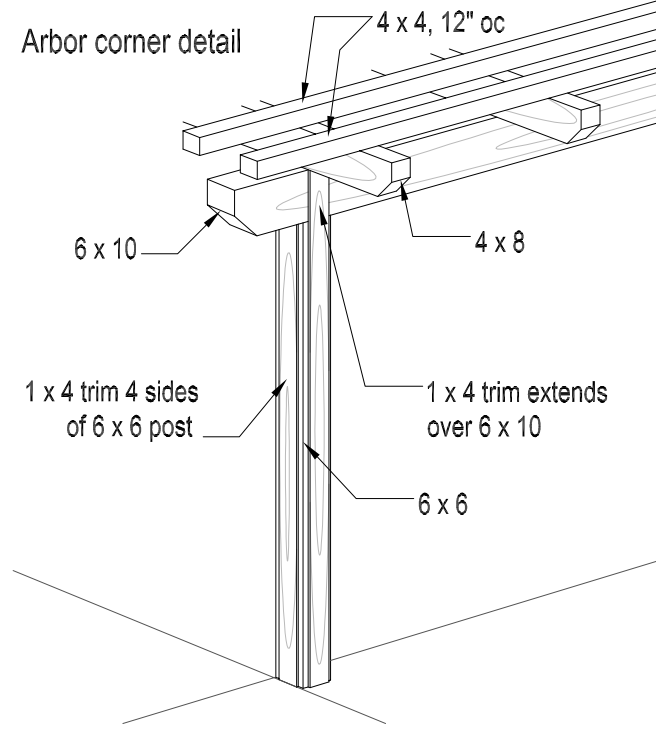
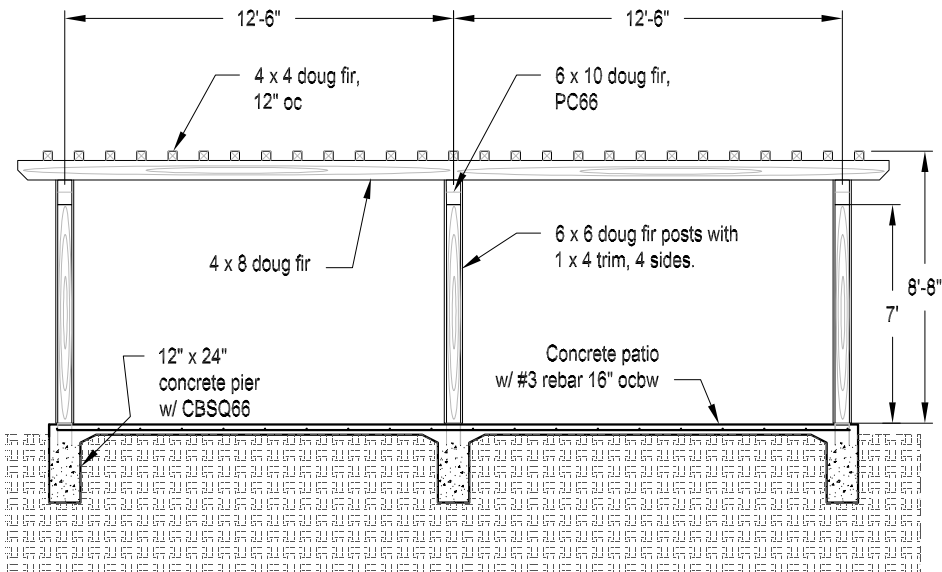


Arbor dimensions



View B, Arbor Elevation



View A, Arbor Elevation